

Lecture 35 - Bipolar Junction Transistor

(cont.)

May 3, 2007

Contents:

1. Current-voltage characteristics of ideal BJT *(cont.)*

Reading material:

del Alamo, Ch. 11, §11.2 (11.2.1)

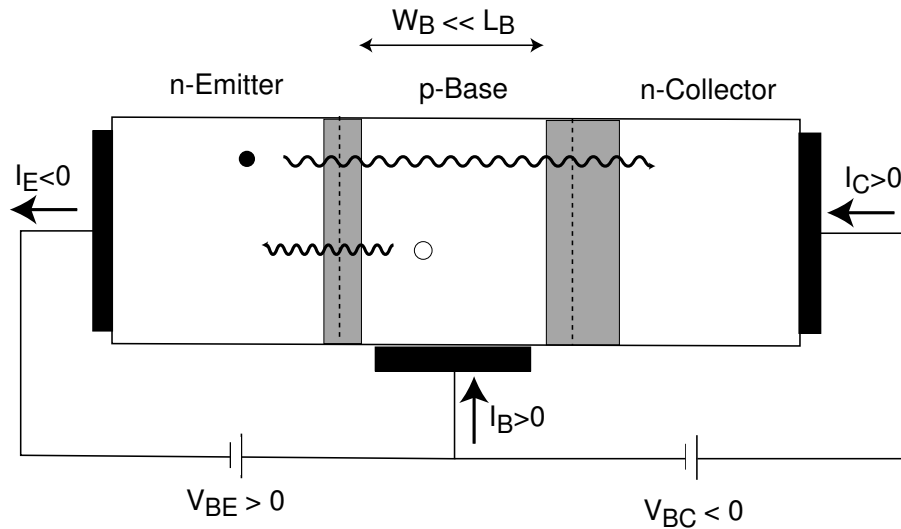
Key questions

- How does the BJT operate in other regimes?
- How does a complete model for the ideal BJT look like?

1. Current-voltage characteristics of ideal BJT (*cont.*)

□ **Forward-active regime** ($V_{BE} > 0$, $V_{BC} < 0$)

Summary of key results:



$$I_C = I_S \exp \frac{qV_{BE}}{kT}$$

$$I_B = \frac{I_S}{\beta_F} \left(\exp \frac{qV_{BE}}{kT} - 1 \right)$$

$$I_E = -I_C - I_B = -I_S \exp \frac{qV_{BE}}{kT} - \frac{I_S}{\beta_F} \left(\exp \frac{qV_{BE}}{kT} - 1 \right)$$

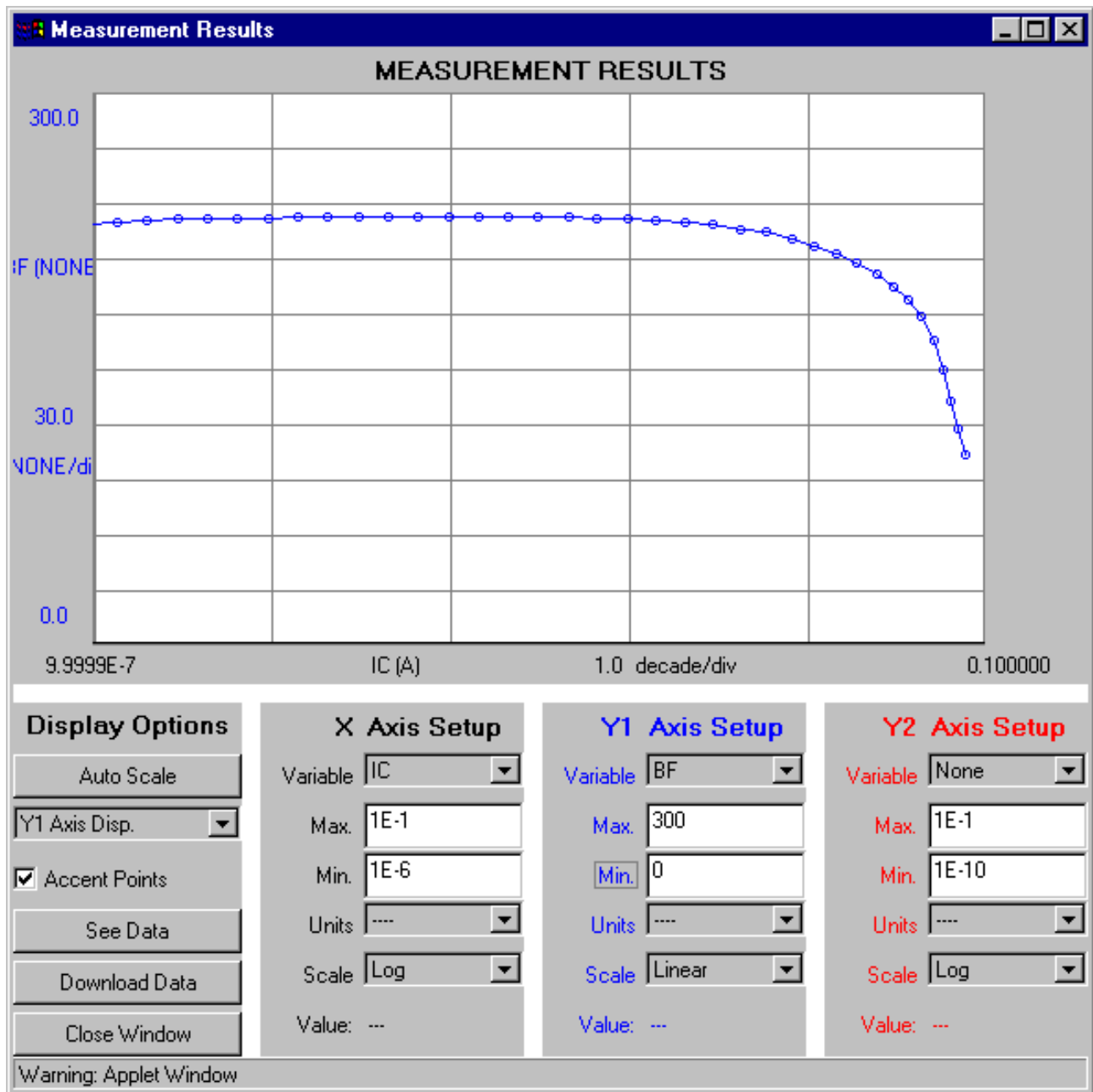
- *Current gain*

$$\beta_F \simeq \frac{I_C}{I_B} \simeq \frac{\frac{n_i^2 D_B}{N_B W_B}}{\frac{n_i^2 D_E}{N_E W_E}} = \frac{N_E D_B W_E}{N_B D_E W_B}$$

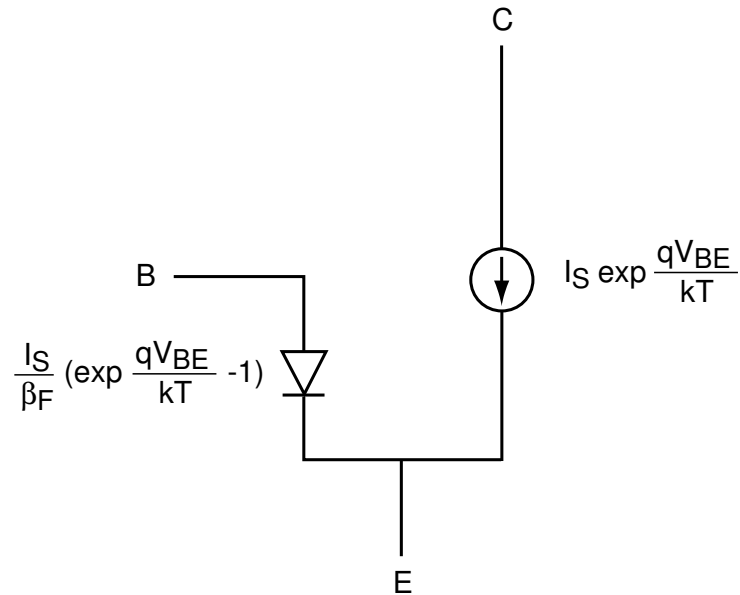
To maximize β_F :

- $N_E \gg N_B$
- $W_E \gg W_B$ (for manufacturing reasons, $W_E \simeq W_B$)
- want *npn*, rather than *pnp* because this way $D_B > D_E$

β_F hard to control \Rightarrow if β_F is high enough (> 50), circuit techniques effectively compensate for this.



- *Equivalent circuit model*

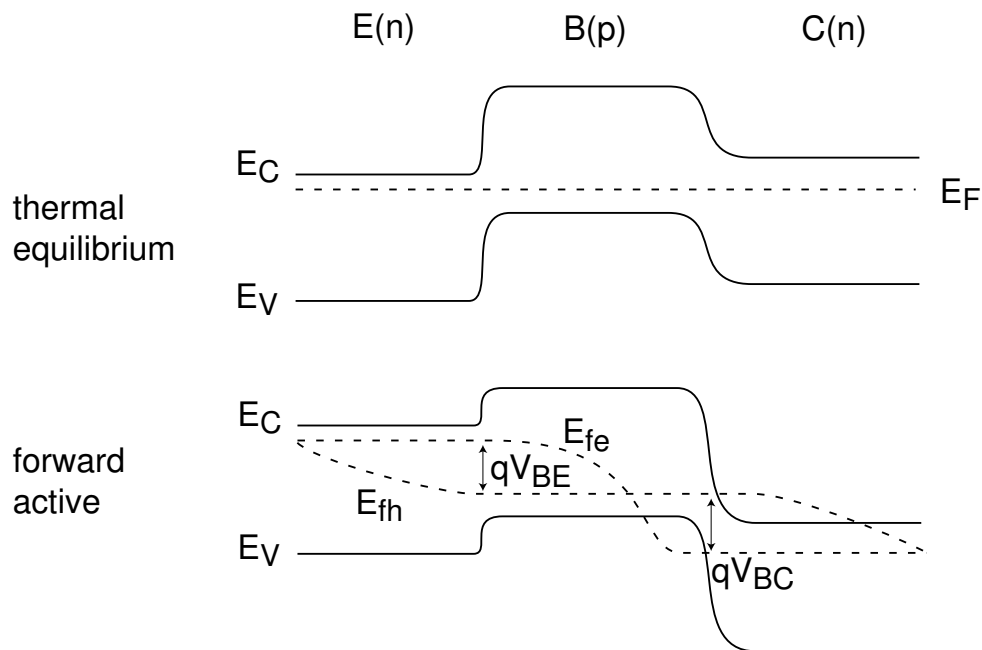


$$I_C = I_S \exp \frac{qV_{BE}}{kT}$$

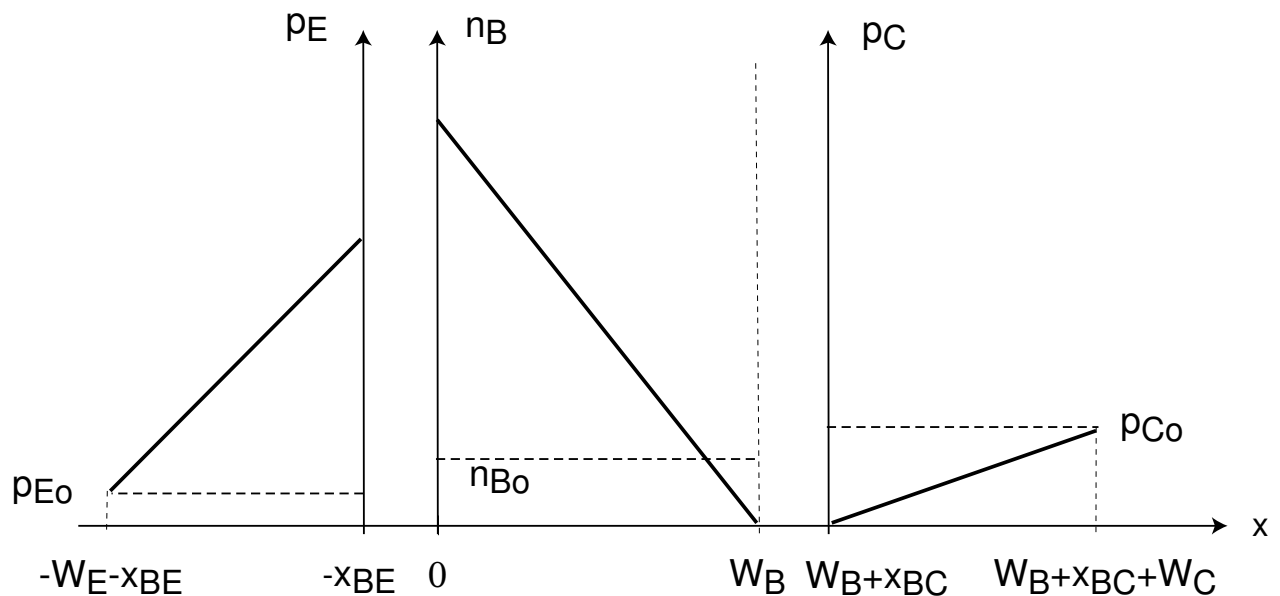
$$I_B = \frac{I_S}{\beta_F} \left(\exp \frac{qV_{BE}}{kT} - 1 \right)$$

$$I_E = -I_C - I_B = -I_S \exp \frac{qV_{BE}}{kT} - \frac{I_S}{\beta_F} \left(\exp \frac{qV_{BE}}{kT} - 1 \right)$$

- Energy band diagram



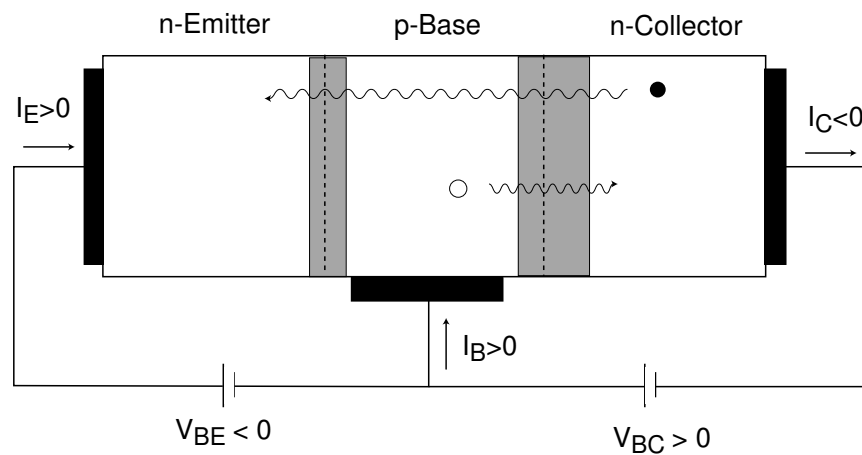
- Summary of minority carrier profiles (*not to scale*)



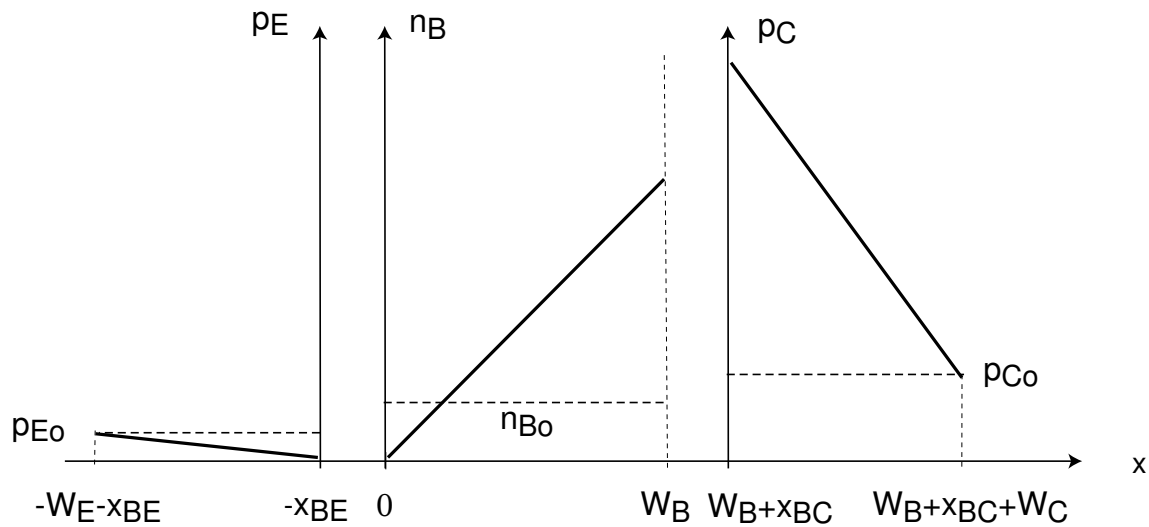
□ **Reverse regime** ($V_{BE} < 0$, $V_{BC} > 0$)

I_E : electron injection from C to B, collection into E

I_B : hole injection from B to C, recombination in C



Minority carrier profiles (*not to scale*):



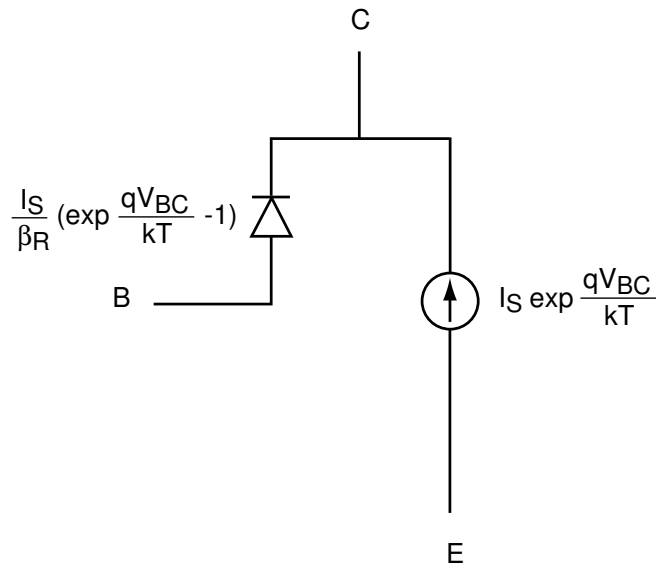
Current equations (just like FAR, but role of collector and emitter reversed):

$$I_E = I_S \exp \frac{qV_{BC}}{kT}$$

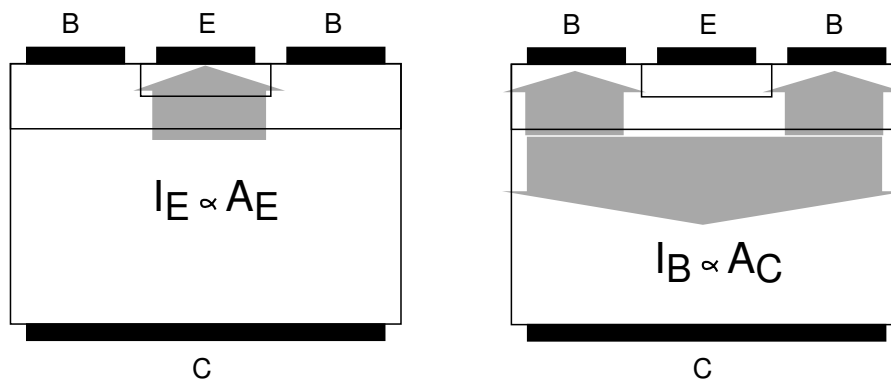
$$I_B = \frac{I_S}{\beta_R} (\exp \frac{qV_{BC}}{kT} - 1)$$

$$I_C = -I_E - I_B = -I_S \exp \frac{qV_{BC}}{kT} - \frac{I_S}{\beta_R} (\exp \frac{qV_{BC}}{kT} - 1)$$

Equivalent-circuit model representation:



Prefactor in I_E expression is I_S : emitter current scales with A_E .

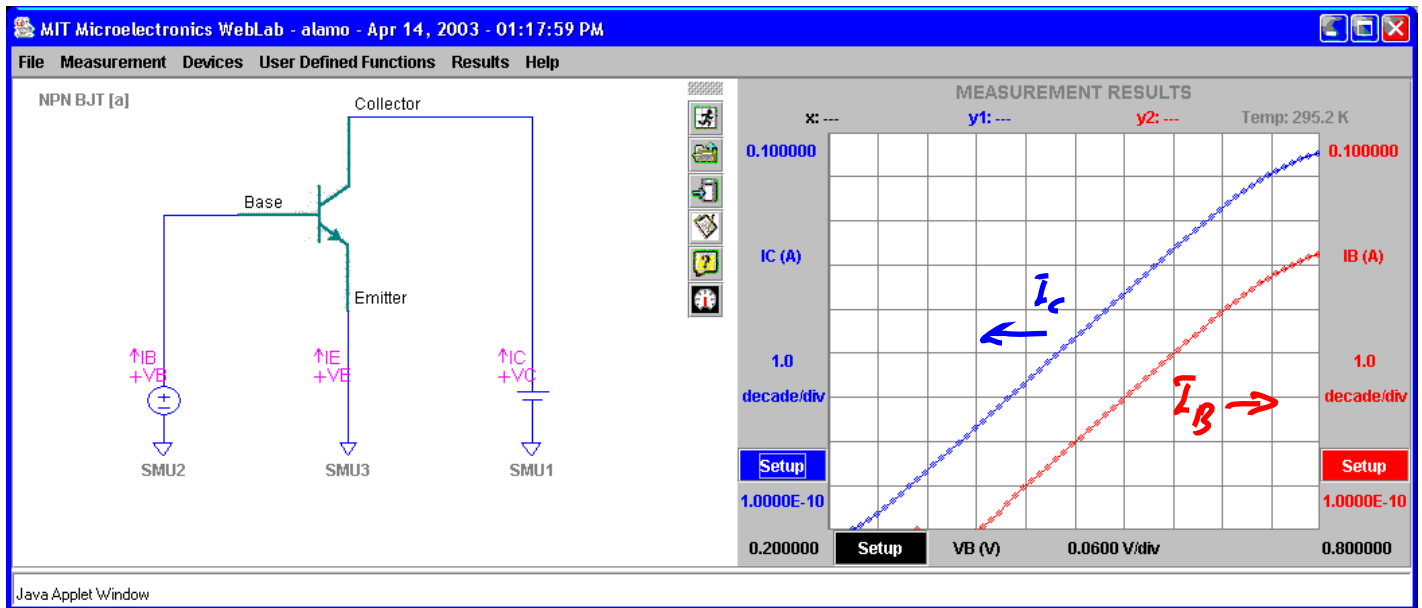


But, I_B scales roughly as A_C :

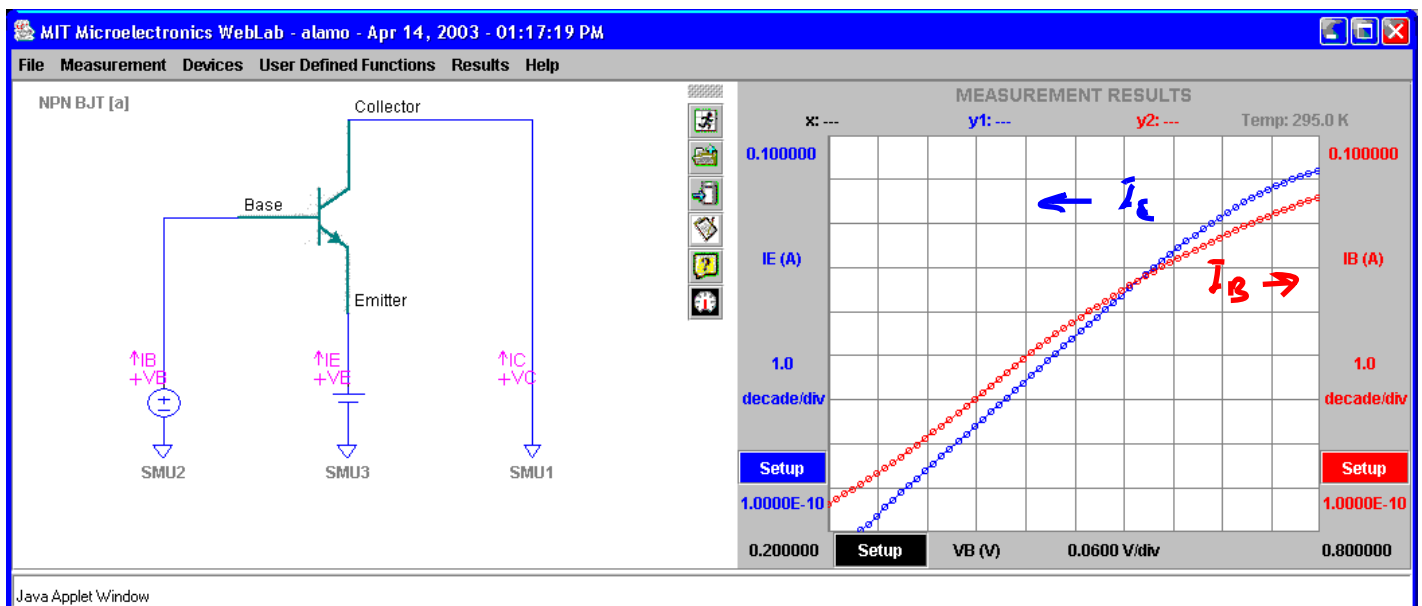
- downward component scales as A_C
- upward component scales as $A_C - A_E \simeq A_C$

Hence, $\beta_R \simeq 0.1 - 5 \ll \beta_F$.

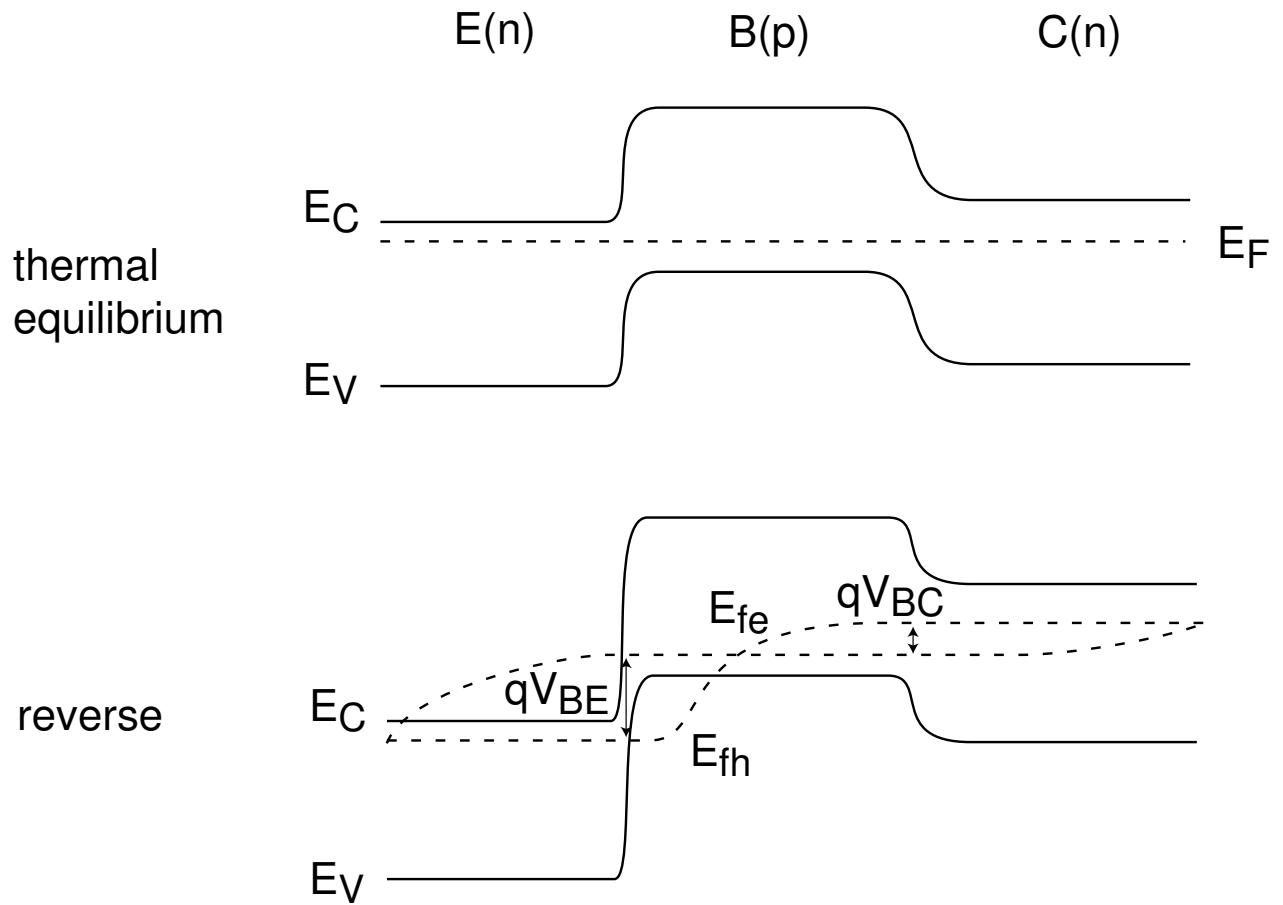
Forward-active Gummel plot ($V_{CE} = 3\text{ V}$):



Reverse Gummel ($V_{EC} = 3\text{ V}$):



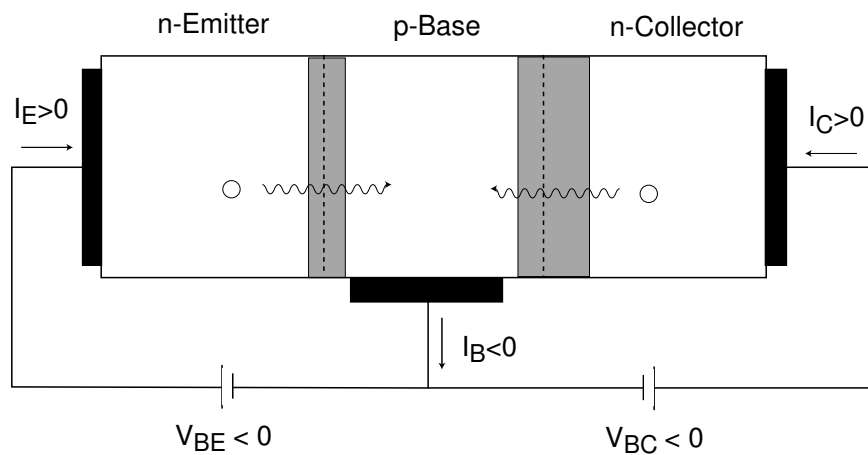
Energy band diagram:



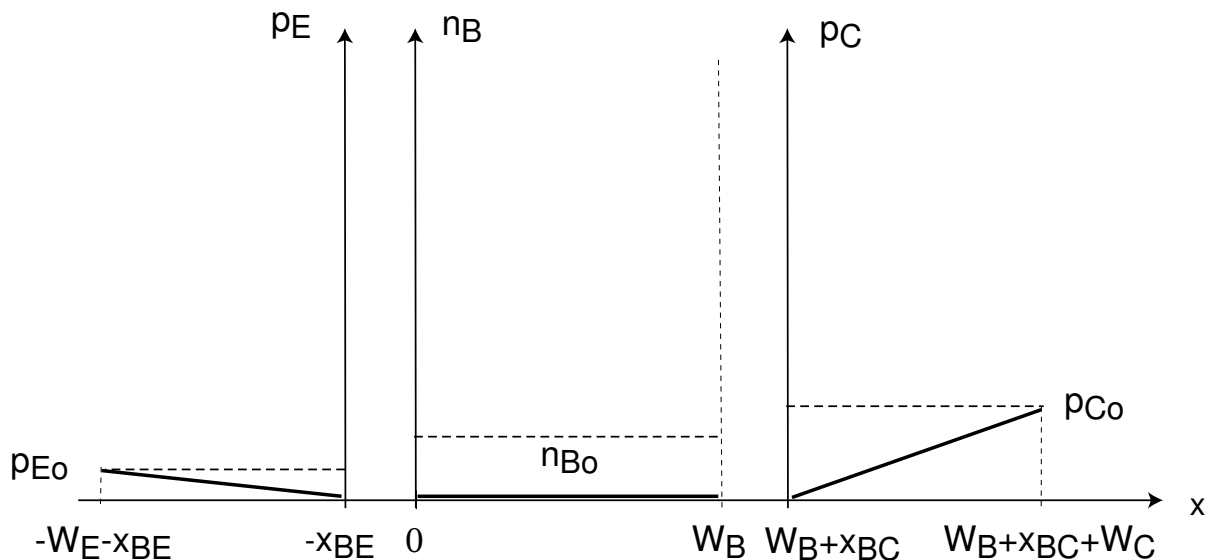
□ **Cut-off regime** ($V_{BE} < 0$, $V_{BC} < 0$)

I_E : hole generation in E, extraction into B

I_C : hole generation in C, extraction into B



Minority carrier profiles (*not to scale*):



Current equations:

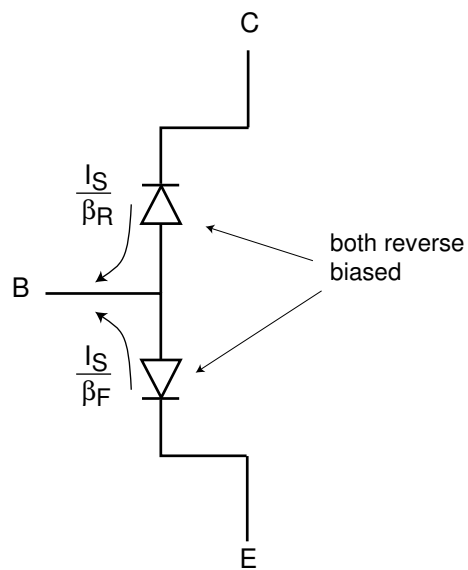
$$I_E = \frac{I_S}{\beta_F}$$

$$I_B = -\frac{I_S}{\beta_F} - \frac{I_S}{\beta_R}$$

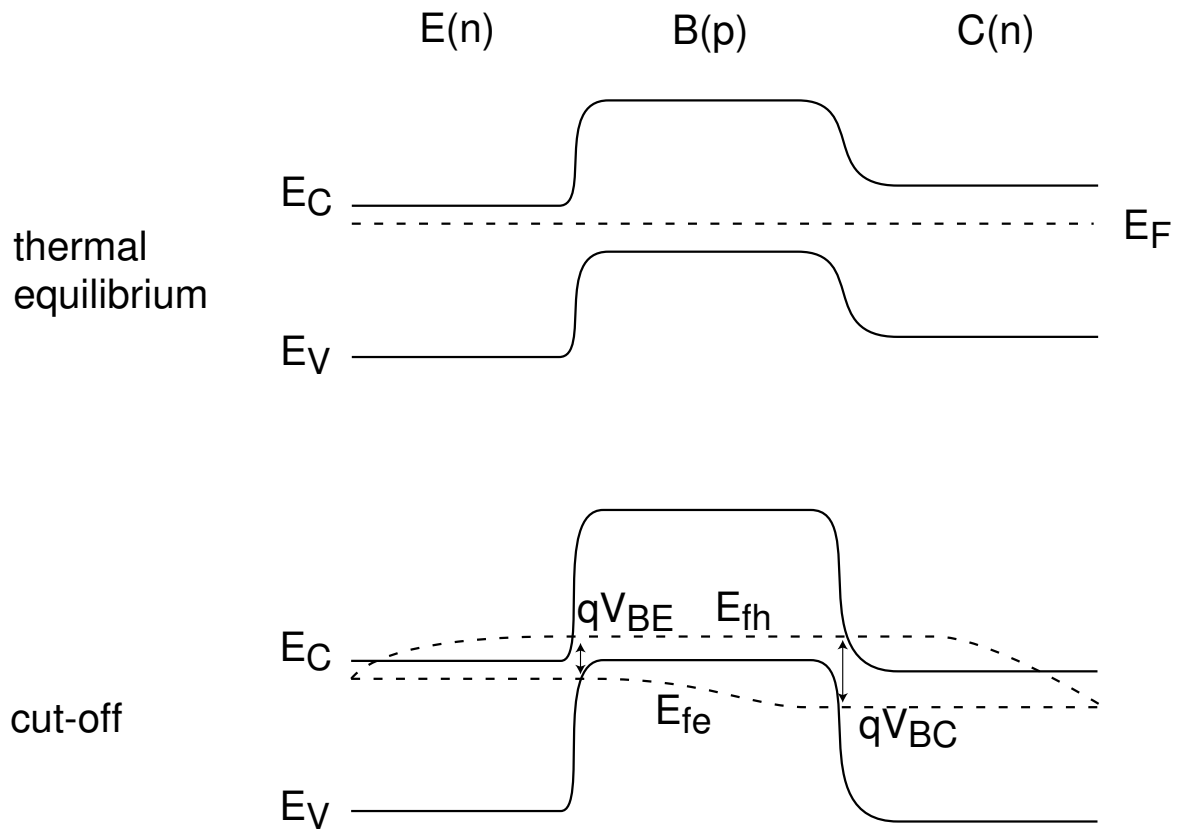
$$I_C = \frac{I_S}{\beta_R}$$

These are tiny leakage currents ($\sim 10^{-12}$ A)

Equivalent-circuit model representation:



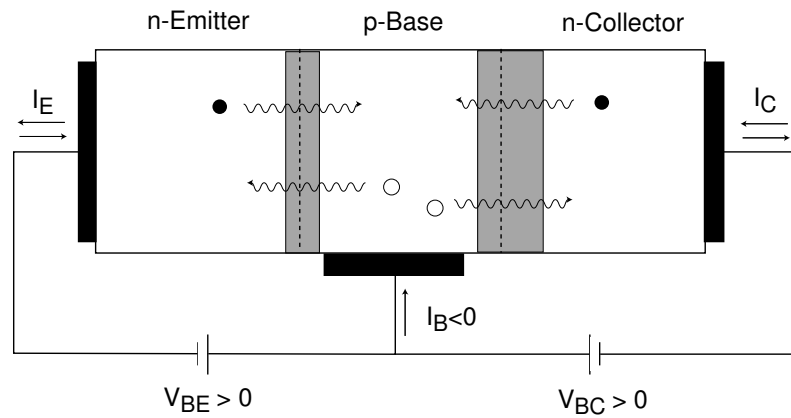
- Energy band diagram



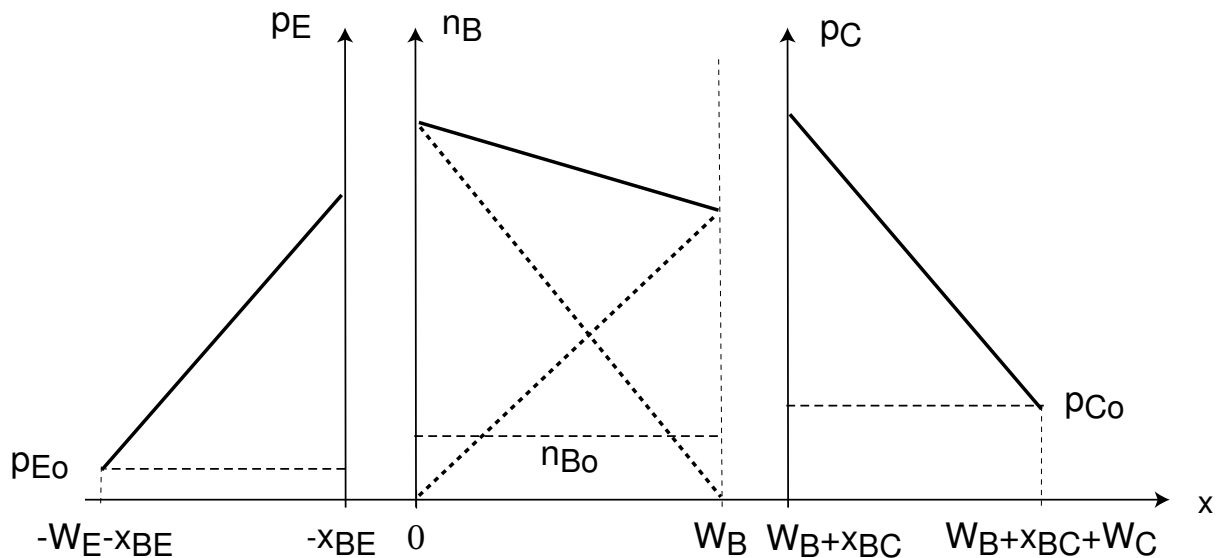
□ **Saturation regime** ($V_{BE} > 0$, $V_{BC} > 0$)

I_C, I_E : balance of electron injection from E/C into B

I_B : hole injection into E/C, recombination in E/C, respectively



Minority carrier profiles (*not to scale*):



Current equations: superposition of forward active + reverse:

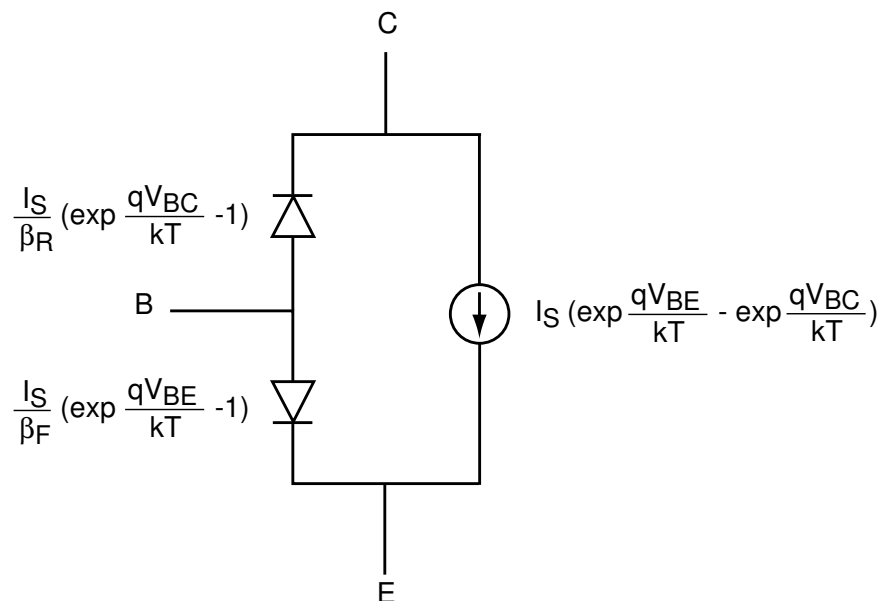
$$I_C = I_S \left(\exp \frac{qV_{BE}}{kT} - \exp \frac{qV_{BC}}{kT} \right) - \frac{I_S}{\beta_R} \left(\exp \frac{qV_{BC}}{kT} - 1 \right)$$

$$I_B = \frac{I_S}{\beta_F} \left(\exp \frac{qV_{BE}}{kT} - 1 \right) + \frac{I_S}{\beta_R} \left(\exp \frac{qV_{BC}}{kT} - 1 \right)$$

$$I_E = -\frac{I_S}{\beta_F} \left(\exp \frac{qV_{BE}}{kT} - 1 \right) - I_S \left(\exp \frac{qV_{BE}}{kT} - \exp \frac{qV_{BC}}{kT} \right)$$

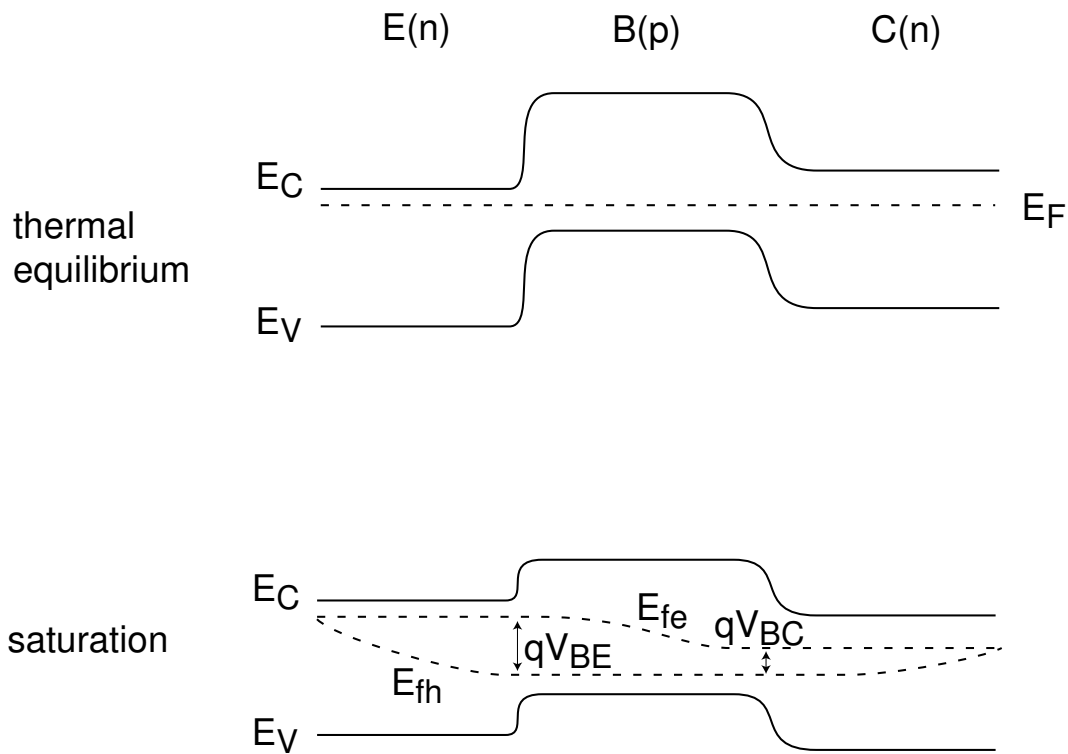
I_C and I_E can have either sign, depending on relative magnitude of V_{BE} and V_{BC} and β_F and β_R .

Equivalent circuit model representation (*Non-Linear Hybrid- π Model*):



Complete model has only three parameters: I_S , β_F , and β_R .

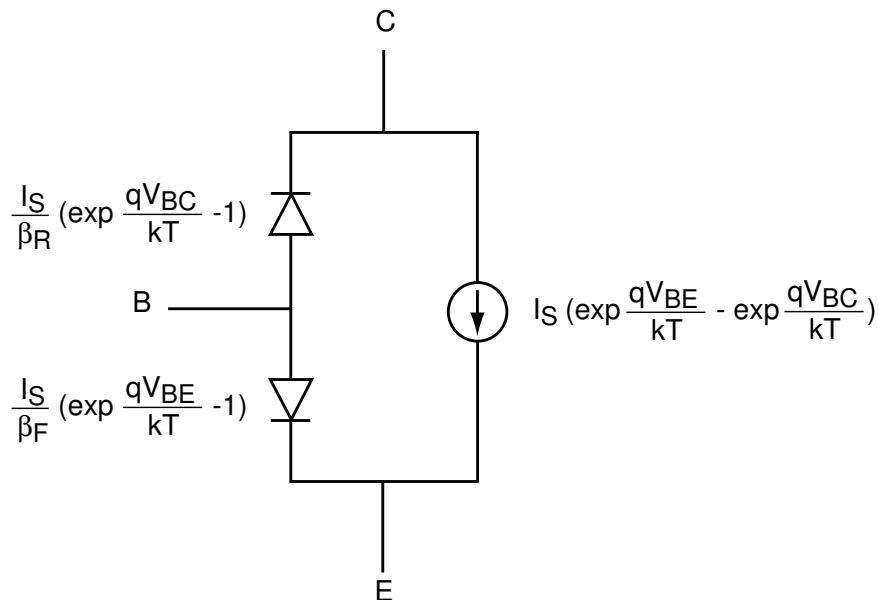
Energy band diagram:



In saturation, collector and base flooded with excess minority carriers
 \Rightarrow takes lots of time to get transistor out of saturation.

Key conclusions

- In FAR, current gain β_F maximized if $N_E \gg N_B$.
- β_F hard to control precisely: if big enough (> 50), circuit techniques can compensate for variations in β_F .
- BJT design optimized for operation in forward-active regime \Rightarrow operation in inverse regime is poor: $\beta_R \ll \beta_F$.
- In saturation, BJT flooded with minority carriers \Rightarrow takes time to get BJT out of saturation.
- Hybrid- π model: equivalent circuit description of BJT in all regimes:



- Only three parameters needed to describe behavior of BJT in four regimes: I_S , β_F , and β_R .