

Code No: 54017

**JAWAHARLAL NEHRU TECHNOLOGICAL UNIVERSITY, HYDERABAD****B.Tech II Year II Semester Examinations, December-2014/January-2015****MACHINE DRAWING****(Common to ME, MCT, AME, MSNT)****Time: 3 hours****Max. Marks: 75****Answer any TWO questions from Part-A****Part-B is Compulsory**

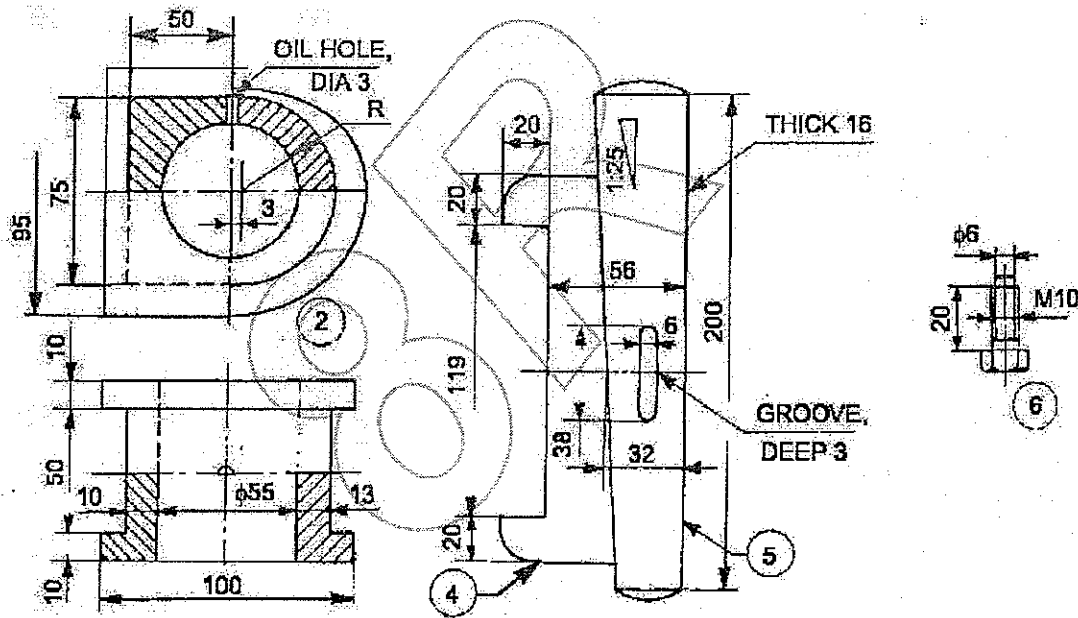
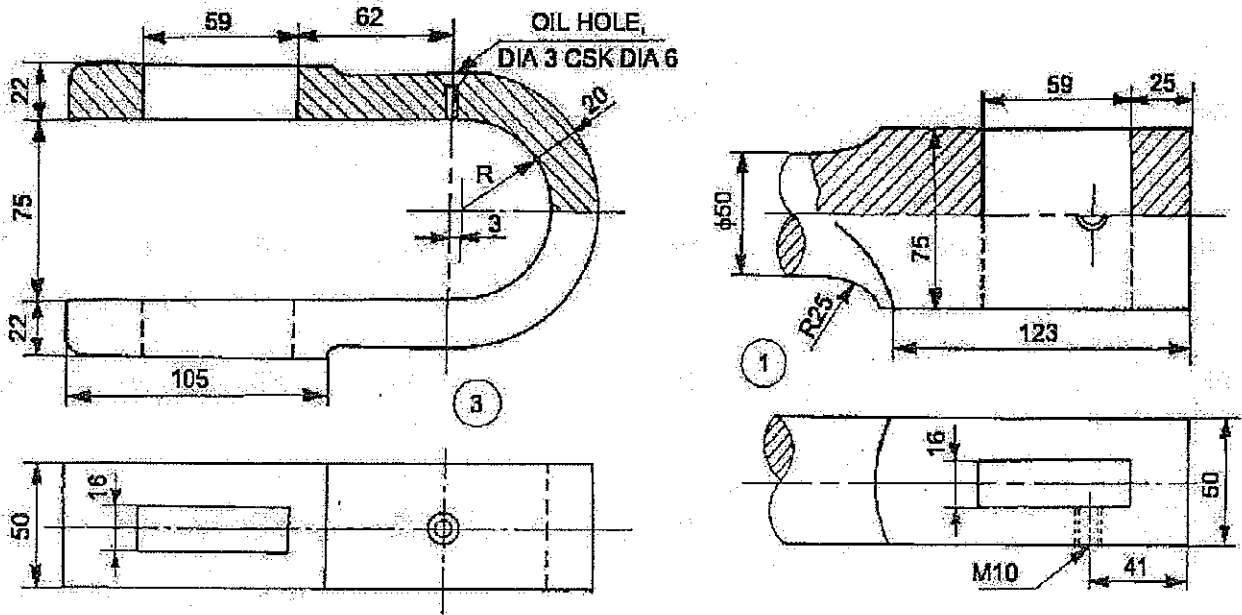
---

**PART-A****(30 Marks)**

- 1.a) Sketch the conventional representation of Steel, glass and concrete.
  - b) Show by means of neat sketch the profile of Metric thread with dimensions.
  - c) Give the conventional representation of Spur gear and Bevel gear.
2. Draw sectional front view and side view of a flanged coupling to connect two shafts of diameter 30mm.
3. Draw:
- a) sectional view from the front and
  - b) view from above, of the following riveted joints, to join plates of thickness 10 mm:
    - i) Double riveted chain lap joint,
    - ii) Double riveted, double strap, chain butt joint.

**PART-B****(45 Marks)**

4. Details of a steam engine connecting rod end are shown in the figure. Assemble the parts together and draw its following views:
- a) Half sectional front view
  - b) Sectional top view
  - c) Left -hand side view.



Parts list

Sl. No.	Name	Matl.	Qty.
1	Connecting rod	FS	1
2	Brasses	GM	2
3	Strap	MS	1
4	Jib	MS	1
5	Cotter	MCS	1
6	Set screw	MCS	1

Fig. Steam engine connecting rod end